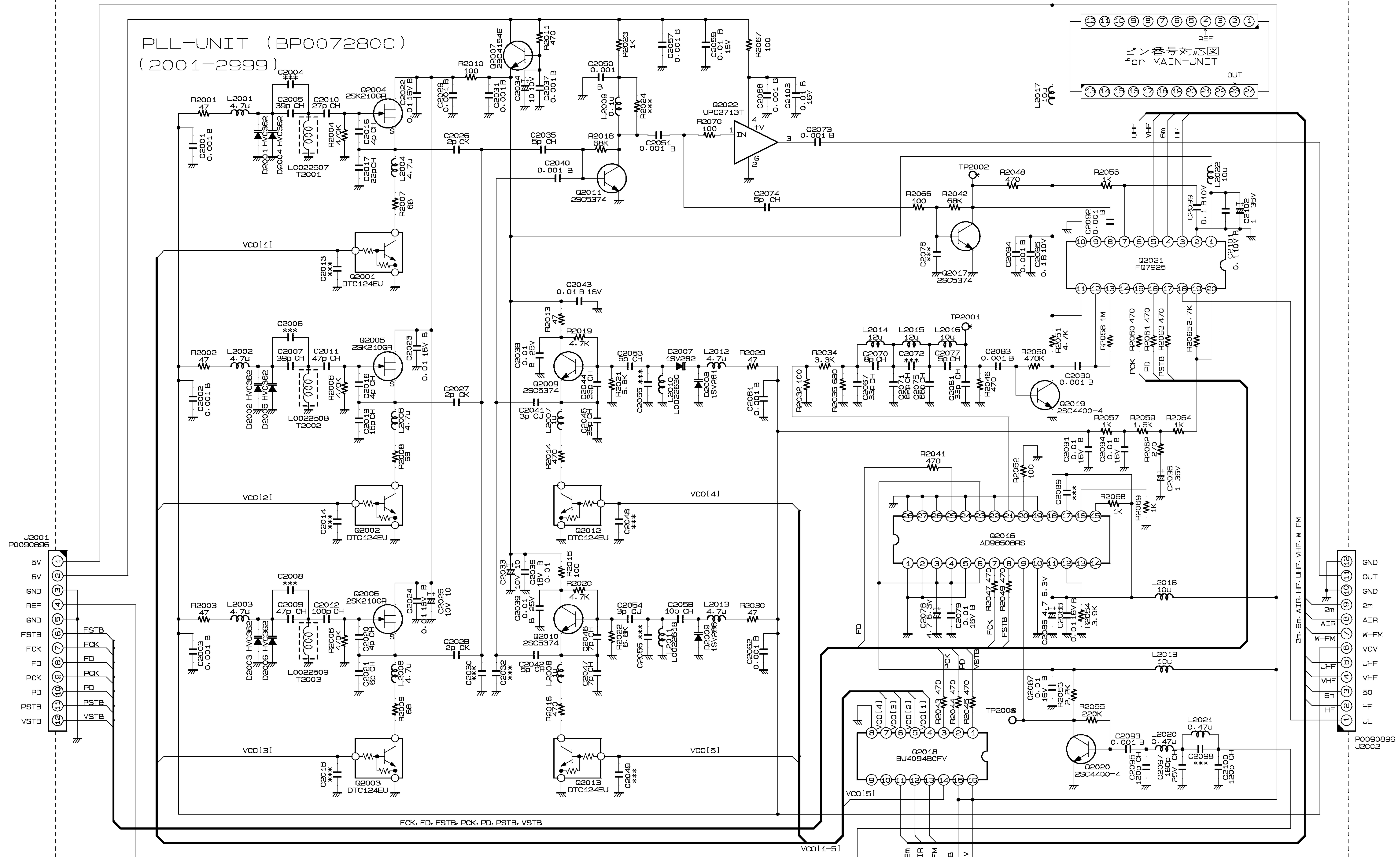


PLL-UNIT (BP007280C)
(2001-2999)



NOTE:
RESISTOR VALUES ARE IN Ω. 1/16W;
CAPACITOR VALUES ARE IN μF. 50V;
ELECTROLYTIC CAPACITOR ARE IN μF. 16V;
INDUCTOR VALUES ARE IN H;
COILS VALUES ARE IN H;
UNLESS OTHERWISE NOTED.

CIRCUIT DIAGRAM	MODEL FT-****
DES. B-A13770000/PLL-UNIT	
REF. BP007280C.cir/001.sht	EDITION 0000
DATE 07 Oct. 1999	UPDATE 16 Jun 2000
YAESU MUSEN CO., LTD	